



**Power Your Business
In Supreme Silence**

XPPC Series

PP-9735 15" / PP-9735W 15.6"



**Aluminum Die-Casting
Stylish and Robust**



**Add-on Device Options
For A Variety of Usage**



**Integrated 2nd
Display Options**



**Smart-IO
Extended Availability**

PUSEB Hub Installed Underneath Stand/ Xation



**One Cable Solution
Video+Power+USB**

Smart-DD Monitor XM-3010W / XM-3015 / XM-3015W

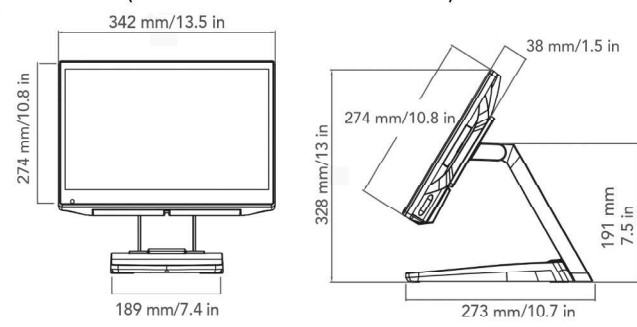
Smart-DD

FEC Proprietary Protocol







XPPC Series PP-9735 SPECIFICATIONS

Model	PP-9735			
Processor	Intel® Celeron® J6412 (1.5M Cache, up to 2.60 GHz)			
Memory	4GB Standard, Max 32GB (1 x SO-DIMM DDR4)			
Storage	1 x M.2 M key PCIe GenIII (Tray,Default) / 1 x M.2 SATAIII (Internal Socket,Optional)			
Display	15" TFT, 1024 x 768 4:3			
Brightness	350 nits			
Touch	True-Flat PCAP (Default) / AG Coating (Optional);Conducted Susceptibility (CS) 10V			
Camera	2MP Front Camera (Optional)			
Wireless	802.11ac + BT (Optional)			
Speaker	2 x 2W Internal Speaker			
OS	Windows 10 IoT Enterprise	Supported	Drivers	Preloaded
	Windows 11 IoT Enterprise	Supported	Drivers	Preloaded
	Linux	Per Request		
Mounting	VESA 100 x 100 mm			
Certification	FCC / CE Class B / UKCA / ESD 8KV,15KV			
Construction/Color	Aluminum Die-Casting + Plastic / Galaxy Grey + Sliver			
Temperature	Operation: 0°C ~ 40°C (32°F ~ 104°F) Storage: -20°C ~ 60°C (-4°F ~ 140°F)			
IO Port	1 x Universal IO			
	1 x Cash Drawer (RJ11)			
	2 x COM (RJ45)			
	3 x USB 2.0			
	1 x USB 3.0			
	1 x Giga LAN			
	1 x HDMI Port			
	1 x Smart-DD			
	1 x DC-IN (20V)			
	1 x Smart-IO			
	Optional IO Ports via Universal IO (UIO)	1 x PUSB 24V (Default)		
1 x PUSB 12V				
2 x USB 2.0				
1 x COM(RJ45)				
1 x 2 nd LAN (RJ45)				
Optional IO ports via Smart IO Port		Smart IO-to-DC-Jack 12V Cable 75cm		
	Smart IO-to-24V Hosiden & USB-B Y-Cable 75cm			
	Smart IO-to-COM(DB9), RI/5V/12V adjustable Cable 75cm			
	Smart IO-to-DC-Jack 12V & USB-B Cable 75cm			
	Smart IO-to-PUSB12V Cable 1M			
	Smart IO-to-PUSB Hub, 3 x PUSB12V & 1x PUSB24V via Cable (Hub Installed Underneath Stand)			
TPM	TPM 2.0: dTPM and fTPM/PTT			
Power	20V / 90W or 130W External Adapter			
Dimensions (W x H x D)	Panel PC: 342 x 274 x 38 mm Panel PC with Stand: 342 x 328 x 273 mm in Carton: 468 x 156 x 448 mm (18.4 x 6.1 x 17.7 in)			
Weight	Net 3.4 KG/7.5 lb Gross 6.2 KG/13.7 lb			
Inside the Porduct Carton	1 x PP-9735 1 x Cable COM Port RJ45 8P-DB9 1 x Power Adapter 1 x Power Cable			
Add-on Peripheral Options	MSR/Fingerprint/RFID/MSR+RFID 2-in1 Scanner/iButton			



XPPC Series

PP-9735W SPECIFICATIONS

Model	PP-9735W				
Processor	Intel® Celeron® J6412 (1.5M Cache, up to 2.60 GHz)				
Memory	4GB Standard, Max 32GB (1 x SO-DIMM DDR4)				
Storage	1 x M.2 M key PCIe GenIII (Tray,Default) / 1 x M.2 SATAIII (Internal Socket,Optional)				
Display	15.6" TFT, 1920 x 1080 16:9				
Brightness	300 nits				
Touch	True-Flat PCAP (Default) / AG Coating (Optional);Conducted Susceptibility (CS) 10V				
Camera	2MP Front Camera (Optional)				
Wireless	802.11ac + BT (Optional)				
Speaker	2 x 2W Internal Speaker				
OS	Windows 10 IoT Enterprise	Supported	Drivers	Preloaded	
	Windows 11 IoT Enterprise	Supported	Drivers	Preloaded	
	Linux	Per Request			
Mounting	VESA 100 x 100 mm				
Certification	FCC / CE Class B / UKCA / ESD 8KV,15KV				
Construction/Color	Aluminum Die-Casting + Plastic / Galaxy Grey + Sliver				
Temperature	Operation: 0°C ~ 40°C (32°F ~ 104°F) Storage: -20°C ~ 60°C (-4°F ~ 140°F)				
IO Port	1 x Universal IO				
	1 x Cash Drawer (RJ11)				
	2 x COM (RJ45)				
	3 x USB 2.0				
	1 x USB 3.0				
	1 x Giga LAN				
	1 x HDMI Port				
	1 x Smart-DD 				
	1 x DC-IN (20V) 				
	1 x Smart-IO 				
	Optional IO Ports via Universal IO (UIO)	1 x PUSB 24V (Default)			
		1 x PUSB 12V			
2 x USB 2.0					
1 x COM(RJ45)					
1 x 2 nd LAN (RJ45)					
Optional IO ports via Smart IO Port 		Smart IO-to-DC-Jack 12V Cable 75cm			
	Smart IO-to-24V Hosiden & USB-B Y-Cable 75cm				
	Smart IO-to-COM(DB9), RI/5V/12V adjustable Cable 75cm				
	Smart IO-to-DC-Jack 12V & USB-B Cable 75cm				
	Smart IO-to-PUSB12V Cable 1M				
	Smart IO-to-PUSB Hub, 3 x PUSB12V & 1x PUSB24V via Cable (Hub Installed Underneath Stand)				
TPM	TPM 2.0: dTPM and fTPM/PTT				
Power	20V / 90W or 130W External Adapter				
Dimensions (W x H x D)	Panel PC: 368 x 235 x 34 mm				
	Panel PC with Stand: 368 x 293 x 273 mm in Carton: 468 x 156 x 448 mm (18.4 x 6.1 x 17.7 in)				
Weight	Net 3.9 KG/8.6 lb Gross 6.7 KG/14.8 lb				
Inside the Porduct Carton	1 x PP-9735W 1 x Cable COM Port RJ45 8P-DB9 1 x Power Adapter 1 x AC Power Cord				
Add-on Peripheral Options	MSR/Fingerprint/RFID/MSR+RFID 2-in1 Scanner/iButton				

